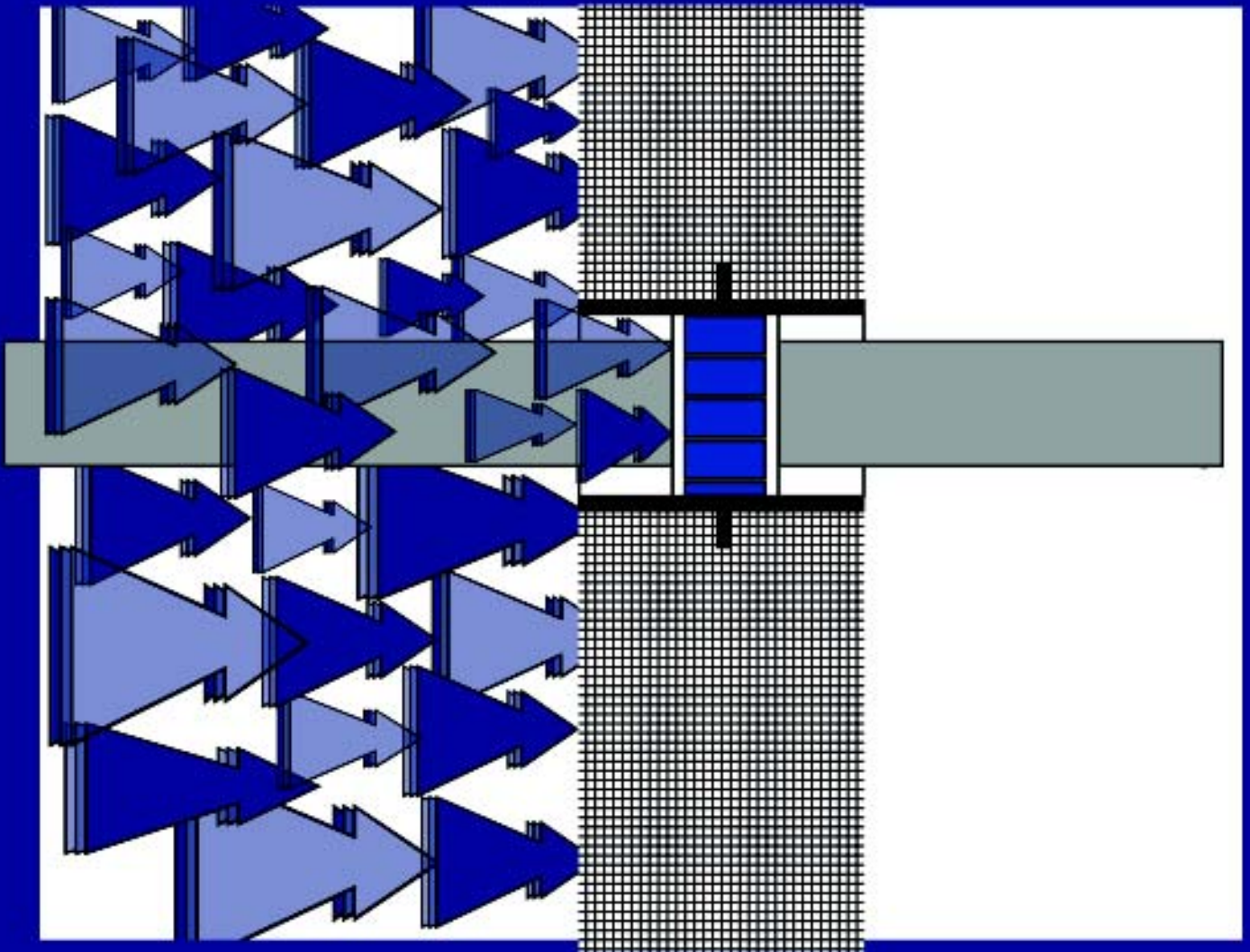




# PIPE SEAL

## Pipe Penetration Seals



# BWM COMPANY

Your Pipe Penetration Seal Store

## • BWM Company's **PIPE SEAL**

BWM Pipe Penetration Seals have been designed to assist in achieving an efficient, low-cost mechanical seal between any Electrical Conduit, Concrete, Cast Iron, Steel, Copper or PVC/CPVC pipes passing through Walls, Floors, Tanks, Pipeline Casings and Vaults. The **PIPE SEAL** while being used to seal the gap in electrical conduit lines, will also act as an insulator.

The **PIPE SEAL** has been designed to provide a gas and watertight seal. All sizes have been tested to withstand a hydrostatic seal up to 20 psig or 40 feet of head pressure in addition to withstanding temperatures up to 250°F.

**PIPE SEAL**'s standard elastomer material is EPDM, which is suitable for temperatures ranging from -40° F to 250° F. EPDM is suitable for most applications in water - above ground and direct burial - and will provide the electrical insulation where cathodic protection is required.

Where the **PIPE SEAL** may come in contact with Hydrocarbons, Oil, Gas, Jet fuel and miscellaneous solvents, a Nitrile material is available with temperatures ranging from -40° F to 210° F.

The **PIPE SEAL** utilizes glass-reinforced plastic for the pressure plates and all hardware is manufactured from Steel Zinc Dichromate. For extremely corrosive environments, Stainless Steel hardware is available upon request.

## Various applications for the BWM **PIPE SEAL**:

- Wall Sleeves
- Valve Pits
- Offshore Oil Platforms
- Dual Containment Seal
- Telecommunications
- Water & Wastewater
- Electrical Contractors
- Underground Steel Tanks
- Coal Preparation Plants
- Precast Concrete
- Floor Sleeves
- Mining
- Marine
- Noise Dampener
- Interior Piping
- HVAC
- Pulp & Paper
- Power Generation

## • BWM Company's **PIPE SEAL**

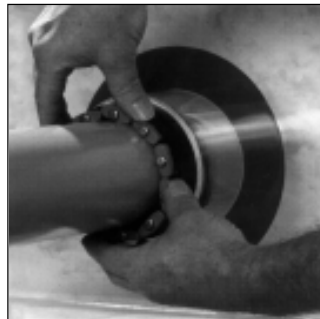
### **APPLICATION PROCEDURE**



1. Properly select the size of the **PIPE SEAL** required to seal the penetration using the Sizing Charts on the following pages.



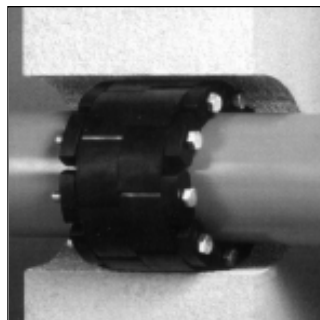
2. Wrap the **PIPE SEAL** around the pipe and connect the ends



3. Slide the **PIPE SEAL** into position.



4. Tighten each bolt on each pressure plate about 2-3 turns, going around the pipe (**do not cross tighten bolts**) until a proper seal is formed. A socket wrench for: 5/16, 3/8, 1/2, 9/16, 3/4, or 1-13/16" bolts will handle all installations.



5. A properly installed **PIPE SEAL** showing a wall cross section detail.

# BWM COMPANY

## Sizing Table for Standard Weight Steel, PVC and CPVC Pipe

NOMINAL PIPE SIZE (inches)	ACTUAL PIPE O.D. (inches)	Steel Pipe Sleeve <sup>1</sup>				PVC Pipe Sleeve <sup>1</sup>			Cast or Core Bit Drilled Hole <sup>1</sup>		
		SLEEVE NOMINAL PIPE SIZE (inches)	SLEEVE ACTUAL I.D. (inches)	PIPE SEAL PART NUMBER	REQUIRED No. of LINKS	PVC SLEEVE ACTUAL I.D. (inches)	PIPE SEAL PART NUMBER	REQUIRED No. of LINKS	HOLE I.D. (inches)	PIPE SEAL PART NUMBER	REQUIRED No. of LINKS
0.5	0.840	2.000	2.067	PS-200	4	2.150	PS-275	5	2.000	PS-200	4
0.75	1.050	2.500	2.469	PS-275	5	2.600	PS-300	4	2.500	PS-275	5
1	1.315	2.500	2.469	PS-200	5	2.600	PS-275	7	3.000	PS-300	4
1.25	1.660	3.000	3.068	PS-275	7	3.166	PS-300	5	3.000	PS-275	7
1.5	1.900	3.500	3.548	PS-300	5	3.166	PS-275	9	3.500	PS-300	5
2	2.375	4.000	4.026	PS-300	6	4.070	PS-315	7	4.000	PS-300	6
2.5	2.875	4.000	4.026	PS-200	9	4.070	PS-200	10	4.000	PS-200	9
3	3.500	5.000	5.047	PS-300	8	4.070	PS-200	11	5.000	PS-300	8
3.5	4.000	6.000	6.065	PS-325	5	6.000	PS-325	5	6.000	PS-325	5
4	4.500	6.000	6.065	PS-300	10	6.000	PS-300	11	6.000	PS-300	10
5	5.563	8.000	7.981	PS-425	6	7.805	PS-325	7	8.000	PS-425	6
6	6.625	10.000	10.020	PS-475	10	9.728	PS-400	7	10.000	PS-475	10
8	8.625	12.000	12.000	PS-475	12	11.538	PS-400	9	12.000	PS-475	12
10	10.750	14.000	13.250	PS-425	10	-	-	-	14.000	PS-400	10
12	12.750	16.000	15.250	PS-425	12	-	-	-	16.000	PS-400	12
14	14.000	18.000	17.250	PS-400	13	-	-	-	16.000	PS-325	15
16	16.000	20.000	19.250	PS-410	20	-	-	-	18.000	PS-325	17
18	18.000	24.000	23.250	PS-500	16	-	-	-	22.000	PS-575	20
20	20.000	24.000	23.250	PS-400	18	-	-	-	24.000	PS-575	22
22	22.000	24.000	23.250	PS-300	47	-	-	-	26.000	PS-575	24
24	24.000	30.000	29.250	PS-500	21	-	-	-	28.000	PS-575	26
26	26.000	30.000	29.250	PS-400	23	-	-	-	30.000	PS-575	28
28	28.000	34.000	33.250	PS-500	24	-	-	-	32.000	PS-575	30
30	30.000	36.000	35.250	PS-500	26	-	-	-	34.000	PS-575	32
32	32.000	36.000	35.250	PS-475	40	-	-	-	36.000	PS-575	34
34	34.000	40.000	39.250	PS-500	29	-	-	-	38.000	PS-575	36
36	36.000	42.000	41.000	PS-500	31	-	-	-	40.000	PS-575	38
42	42.000	48.000	47.000	PS-500	36	-	-	-	46.000	PS-575	44
48	48.000	54.000	53.000	PS-500	41	-	-	-	52.000	PS-575	50

## Sizing Table for Copper Tubing

NOMINAL PIPE SIZE (inches)	ACTUAL PIPE O.D. (inches)	Steel Pipe Sleeve <sup>1</sup>				PVC Pipe Sleeve <sup>1</sup>			Cast or Core Bit Drilled Hole <sup>1</sup>		
		SLEEVE NOMINAL PIPE SIZE (inches)	SLEEVE ACTUAL I.D. (inches)	PIPE SEAL PART NUMBER	REQUIRED No. of LINKS	PVC SLEEVE ACTUAL I.D. (inches)	PIPE SEAL PART NUMBER	REQUIRED No. of LINKS	HOLE I.D. (inches)	PIPE SEAL PART NUMBER	REQUIRED No. of LINKS
0.5	0.625	2.000	2.067	PS-275	4	2.150	PS-300	3	2.000	PS-275	4
0.75	0.875	2.000	2.067	PS-200	4	2.600	PS-315	4	2.000	PS-200	4
1	1.125	2.500	2.469	PS-275	5	2.600	PS-275	5	2.500	PS-275	5
1.25	1.375	3.000	3.068	PS-300	4	3.166	PS-315	5	3.000	PS-300	4
1.5	1.625	3.000	3.068	PS-275	7	3.166	PS-300	5	3.000	PS-275	7
2	2.125	3.500	3.548	PS-275	8	4.070	PS-315	7	3.500	PS-275	8
2.5	2.625	4.000	4.026	PS-275	10	4.070	PS-275	12	4.000	PS-275	10
3	3.125	5.000	5.047	PS-325	4	6.000	PS-400	4	5.000	PS-325	4
4	4.125	6.000	6.065	PS-325	5	6.000	PS-315	11	6.000	PS-325	5
6	6.125	8.000	7.981	PS-325	7	9.728	PS-475	9	8.000	PS-325	7
8	8.125	10.000	10.020	PS-325	9	11.538	PS-475	12	10.000	PS-325	9
10	10.125	14.000	12.000	PS-400	10	-	-	-	14.000	PS-400	14
12	12.125	16.000	15.250	PS-400	12	-	-	-	16.000	PS-400	16

Please Note: **PIPE SEAL** sets are sold in belts of ten (10) links.

1. Minimum recommended sleeve length or wall thickness is 4" for **PIPE SEAL** Model PS-325 and 6" for Models PS-400 and larger.

# BWM COMPANY

## Sizing Table for Electrical Metallic Tubing (EMT)

NOMINAL PIPE SIZE (inches)	ACTUAL PIPE O.D. (inches)	Steel Pipe Sleeve <sup>1</sup>				PVC Pipe Sleeve <sup>1</sup>			Cast or Core Bit Drilled Hole <sup>1</sup>		
		SLEEVE NOMINAL PIPE SIZE (inches)	SLEEVE ACTUAL I.D. (inches)	PIPE SEAL PART NUMBER	REQUIRED No. of LINKS	PVC SLEEVE ACTUAL I.D. (inches)	PIPE SEAL PART NUMBER	REQUIRED No. of LINKS	HOLE I.D. (inches)	PIPE SEAL PART NUMBER	REQUIRED No. of LINKS
0.5	0.706	2.000	2.067	PS-275	4	2.150	PS-275	5	2.000	PS-275	4
0.75	0.922	2.000	2.067	PS-200	4	2.600	PS-300	4	2.000	PS-200	4
1	1.163	3.000	3.068	PS-315	4	2.600	PS-275	7	3.000	PS-315	4
1.25	1.510	3.000	3.068	PS-300	4	3.166	PS-300	5	3.000	PS-300	4
1.5	1.740	3.500	3.548	PS-315	5	3.166	PS-275	8	3.500	PS-315	7
2	2.197	4.000	4.026	PS-315	6	4.070	PS-315	7	4.000	PS-315	8
2.5	2.875	4.000	4.026	PS-200	9	4.070	PS-200	10	4.000	PS-200	10
3	3.500	5.000	5.047	PS-300	8	6.000	PS-425	4	5.000	PS-300	4
3.5	4.000	6.000	6.065	PS-325	5	6.000	PS-325	5	6.000	PS-325	5
4	4.500	6.000	6.065	PS-300	10	6.000	PS-300	11	6.000	PS-300	7

## Sizing Table for Intermediate Metal Conduit (IMC)

NOMINAL PIPE SIZE (inches)	ACTUAL PIPE O.D. (inches)	Steel Pipe Sleeve <sup>1</sup>				PVC Pipe Sleeve <sup>1</sup>			Cast or Core Bit Drilled Hole <sup>1</sup>		
		SLEEVE NOMINAL PIPE SIZE (inches)	SLEEVE ACTUAL I.D. (inches)	PIPE SEAL PART NUMBER	REQUIRED No. of LINKS	PVC SLEEVE ACTUAL I.D. (inches)	PIPE SEAL PART NUMBER	REQUIRED No. of LINKS	HOLE I.D. (inches)	PIPE SEAL PART NUMBER	REQUIRED No. of LINKS
0.5	0.815	2.000	2.067	PS-200	4	2.150	PS-275	5	2.000	PS-200	4
0.75	1.029	2.000	2.067	PS-200	4	2.600	PS-300	4	2.500	PS-275	6
1	1.290	2.500	2.469	PS-275	6	2.600	PS-275	7	3.000	PS-300	4
1.25	1.638	3.500	3.548	PS-315	5	3.166	PS-300	5	3.000	PS-275	7
1.5	1.883	3.500	3.548	PS-300	5	3.166	PS-275	9	3.500	PS-300	5
2	2.360	4.000	4.026	PS-300	6	4.070	PS-315	7	4.000	PS-300	6
2.5	2.857	4.000	4.026	PS-200	9	4.070	PS-200	10	4.000	PS-200	9
3	3.476	5.000	5.047	PS-300	8	6.000	PS-425	4	5.000	PS-300	8
3.5	3.971	6.000	6.065	PS-325	5	6.000	PS-325	5	6.000	PS-325	5
4	4.466	6.000	6.065	PS-300	10	6.000	PS-300	11	6.000	PS-300	10

## Sizing Table for Rigid Steel Conduit (RSC)

NOMINAL PIPE SIZE (inches)	ACTUAL PIPE O.D. (inches)	Steel Pipe Sleeve <sup>1</sup>				PVC Pipe Sleeve <sup>1</sup>			Cast or Core Bit Drilled Hole <sup>1</sup>		
		SLEEVE NOMINAL PIPE SIZE (inches)	SLEEVE ACTUAL I.D. (inches)	PIPE SEAL PART NUMBER	REQUIRED No. of LINKS	PVC SLEEVE ACTUAL I.D. (inches)	PIPE SEAL PART NUMBER	REQUIRED No. of LINKS	HOLE I.D. (inches)	PIPE SEAL PART NUMBER	REQUIRED No. of LINKS
0.5	0.840	2.000	2.067	PS-200	4	2.150	PS-275	5	2.000	PS-200	4
0.75	1.050	2.500	2.469	PS-275	6	2.600	PS-300	4	2.500	PS-275	6
1	1.315	2.500	2.469	PS-200	5	2.600	PS-275	7	3.000	PS-300	4
1.25	1.660	3.500	3.548	PS-315	5	3.166	PS-300	5	3.000	PS-275	7
1.5	1.500	3.500	3.548	PS-300	5	3.166	PS-300	5	3.500	PS-200	5
2	2.375	4.000	4.026	PS-300	6	4.070	PS-300	7	4.000	PS-300	6
2.5	2.875	4.000	4.026	PS-200	9	6.000	PS-400	4	4.000	PS-200	9
3	3.500	5.000	5.047	PS-300	8	6.000	PS-425	4	5.000	PS-300	8
3.5	4.000	6.000	6.065	PS-325	5	6.000	PS-325	5	6.000	PS-325	5
4	4.500	6.000	6.065	PS-300	10	6.000	PS-275	18	6.000	PS-300	10
5	5.563	8.000	7.981	PS-425	6	7.803	PS-325	7	8.000	PS-425	6
6	6.625	8.000	7.981	PS-300	15	9.728	PS-400	7	10.000	PS-475	10

Please Note: **PIPE SEAL** sets are sold in belts of ten (10) links.

1. Minimum recommended sleeve length or wall thickness is 4" for **PIPE SEAL** Model PS-325 and 6" for Models PS-400 and larger.

# BWM COMPANY

## Sizing Table for Ductile Iron Pipe (AWWA-Type)

NOMINAL PIPE SIZE (inches)	ACTUAL PIPE O.D. (inches)	Steel Pipe Sleeve <sup>1</sup>				PVC Pipe Sleeve <sup>1</sup>			Cast or Core Bit Drilled Hole <sup>1</sup>		
		SLEEVE NOMINAL PIPE SIZE (inches)	SLEEVE ACTUAL I.D. (inches)	PIPE SEAL PART NUMBER	REQUIRED No. of LINKS	PVC SLEEVE ACTUAL I.D. (inches)	PIPE SEAL PART NUMBER	REQUIRED No. of LINKS	HOLE I.D. (inches)	PIPE SEAL PART NUMBER	REQUIRED No. of LINKS
2	2.500	4.000	4.026	PS-300	6	4.070	PS-300	7	4.000	PS-300	6
2.5	2.750	5.000	5.047	PS-325	4	6.000	PS-400	4	5.000	PS-325	5
3	3.960	6.000	6.065	PS-325	5	6.000	PS-325	5	6.000	PS-325	5
4	4.800	8.000	7.981	PS-410	7	7.803	PS-400	5	8.000	PS-400	5
6	6.900	10.000	10.020	PS-400	7	9.728	PS-425	7	10.000	PS-400	7
8	9.050	12.000	12.000	PS-400	9	11.538	PS-425	9	12.000	PS-400	9
10	11.100	14.000	13.250	PS-325	12	-	-	-	14.000	PS-400	10
12	13.200	16.000	15.250	PS-325	14	-	-	-	16.000	PS-425	12
14	15.300	18.000	17.250	PS-325	16	-	-	-	18.000	PS-425	14
16	17.400	20.000	19.250	PS-315	38	-	-	-	20.000	PS-425	16
18	19.500	24.000	23.250	PS-475	25	-	-	-	22.000	PS-425	18
20	21.600	26.000	25.250	PS-475	28	-	-	-	26.000	PS-525	19
24	25.800	30.000	29.250	PS-400	23	-	-	-	30.000	PS-575	28
30	32.000	36.000	35.500	PS-475	40	-	-	-	36.000	PS-575	34
36	38.300	42.000	41.000	PS-425	34	-	-	-	43.000	PS-525	33
42	44.500	48.000	47.000	PS-425	40	-	-	-	49.000	PS-525	38
48	50.800	54.000	53.000	PS-325	53	-	-	-	56.000	PS-500	43

## Sizing Table for Cast Iron Soil Pipe (Extra Heavy)

NOMINAL PIPE SIZE (inches)	ACTUAL PIPE O.D. (inches)	Steel Pipe Sleeve <sup>1</sup>				PVC Pipe Sleeve <sup>1</sup>			Cast or Core Bit Drilled Hole <sup>1</sup>		
		SLEEVE NOMINAL PIPE SIZE (inches)	SLEEVE ACTUAL I.D. (inches)	PIPE SEAL PART NUMBER	REQUIRED No. of LINKS	PVC SLEEVE ACTUAL I.D. (inches)	PIPE SEAL PART NUMBER	REQUIRED No. of LINKS	HOLE I.D. (inches)	PIPE SEAL PART NUMBER	REQUIRED No. of LINKS
2	2.380	4.000	4.026	PS-300	6	4.070	PS-300	7	4.000	PS-300	6
3	3.500	5.000	5.047	PS-300	8	6.000	PS-425	4	5.000	PS-300	8
4	4.500	6.000	6.065	PS-300	10	7.803	PS-475	7	6.000	PS-300	10
5	5.500	8.000	7.981	PS-425	6	9.728	PS-575	8	8.000	PS-425	6
6	6.500	10.000	10.020	PS-475	10	9.728	PS-400	7	10.000	PS-475	10
8	8.620	12.000	12.000	PS-475	12	11.538	PS-400	9	12.000	PS-475	12
10	10.750	14.000	13.250	PS-425	10	-	-	-	14.000	PS-400	10
12	12.750	16.000	15.250	PS-425	12	-	-	-	16.000	PS-400	12
15	15.880	20.000	19.250	PS-400	15	-	-	-	20.000	PS-575	18

## Sizing Table for Cast Iron Soil Pipe (Service Weight)

NOMINAL PIPE SIZE (inches)	ACTUAL PIPE O.D. (inches)	Steel Pipe Sleeve <sup>1</sup>				PVC Pipe Sleeve <sup>1</sup>			Cast or Core Bit Drilled Hole <sup>1</sup>		
		SLEEVE NOMINAL PIPE SIZE (inches)	SLEEVE ACTUAL I.D. (inches)	PIPE SEAL PART NUMBER	REQUIRED No. of LINKS	PVC SLEEVE ACTUAL I.D. (inches)	PIPE SEAL PART NUMBER	REQUIRED No. of LINKS	HOLE I.D. (inches)	PIPE SEAL PART NUMBER	REQUIRED No. of LINKS
2	2.300	4.000	1.026	PS-300	6	4.070	PS-315	7	4.000	PS-300	6
3	3.300	5.000	5.047	PS-315	8	6.000	PS-425	4	5.000	PS-315	8
4	4.300	6.000	6.065	PS-315	10	7.803	PS-400	5	6.000	PS-315	10
5	5.300	8.000	10.020	PS-425	6	9.728	PS-575	8	8.000	PS-425	6
6	6.300	10.000	10.020	PS-475	10	9.728	PS-475	10	10.000	PS-475	10
8	8.380	12.000	12.000	PS-475	12	11.538	PS-400	9	12.000	PS-475	12
10	10.500	14.000	13.250	PS-425	10	-	-	-	14.000	PS-475	14
12	12.500	16.000	15.250	PS-425	12	-	-	-	16.000	PS-475	17
15	15.620	20.000	19.250	PS-475	21	-	-	-	18.000	PS-425	15

Please Note: **PIPE SEAL** sets are sold in belts of ten (10) links.

1. Minimum recommended sleeve length or wall thickness is 4" for **PIPE SEAL** Model PS-325 and 6" for Models PS-400 and larger.

# BWM COMPANY

## CALCULATING PIPE SEAL SIZES

Use the following method if you cannot find the correct pipe size or wall sleeve from the Sizing Charts on pages 2 through 5

### Step 1 Calculate the Annular Space

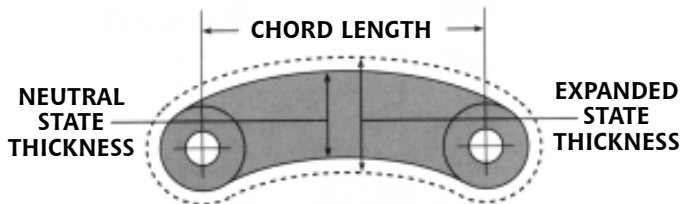
The Annular Space is the space between the Outside Diameter of the pipe and the Inside Diameter of the Wall Sleeve or opening. This is calculated by using the following formula:

$$\text{Annular Space} = \frac{\text{Wall Opening I.D.} - \text{Pipe O.D.}}{2}$$

### Step 2 Selecting the PIPE SEAL Model

Select the proper **PIPE SEAL** model from the Dimensional chart (shown below) by comparing the Annular Space to the Neutral State and Expanded State Thickness. The Annular Space calculated must fall between the Neutral State Thickness and the Expanded State Thickness.

## PIPE SEAL Dimensional Chart



### Step 3 Calculate the Number of Links Required

First, calculate the Bolt Circle:

$$\text{Bolt Circle} = \frac{\text{Wall Opening I.D.} + \text{Pipe O.D.}}{2}$$

Then, determine the number of links required by using the following formula. Chord length is found in the **PIPE SEAL** Dimensional Chart shown below.

$$\text{Number of Links} = \frac{\text{Bolt Circle} \times 3.14 (\pi)}{\text{Chord Length}}$$

Finally, the number of links determined must be rounded down to the next whole number.

Please Note: **PIPE SEAL** sets are sold in belts of ten (10) links.

SEALING RANGE			
SIZE	NEUTRAL STATE THICKNESS (inches)	EXPANDED STATE THICKNESS (inches)	CHORD LENGTH (inches)
PS-200	0.500	0.620	1.125
PS-275	0.620	0.780	0.910
PS-300	0.710	0.880	1.510
PS-315	0.820	1.030	1.470
PS-325	0.940	1.180	3.100
PS-400	1.430	1.810	3.625
PS-410	1.480	1.910	2.680
PS-425	1.130	1.450	3.625
PS-475	1.620	1.900	2.625
PS-500	2.370	2.810	3.860
PS-525	2.180	2.500	3.860
PS-575	1.880	2.350	3.100
PS-600	3.200	4.000	6.000

TYPE	SEAL MATERIAL	PRESSURE PLATES	BOLTS & NUTS	TEMPERATURE RANGE (°F)	APPLICATIONS*
<b>E</b>	EPDM Black	GLASS REINFORCED PLASTIC	STEEL Zinc Dichromate	-40° to +250°	Suitable for most applications in water, above ground and direct burial. Provides electrical insulation where cathodic protection is required.
<b>ES</b>	EPDM Black	GLASS REINFORCED PLASTIC	STAINLESS STEEL 316	-40° to +250°	Suitable for environments where the corrosion resistance of stainless steel hardware is required.
<b>P</b>	NITRILE	GLASS REINFORCED PLASTIC	STEEL Zinc Dichromate	-40° to +210°	Resistant to most hydrocarbons, oil, gas, jet fuel, and many solvents.
<b>PS</b>	NITRILE	GLASS REINFORCED PLASTIC	STAINLESS STEEL 316	-40° to +210°	Same as above, but with corrosion resistance of stainless steel hardware

\* For more details and complete chemical compatibility contact your sales representative at BWM.

# BWM COMPANY

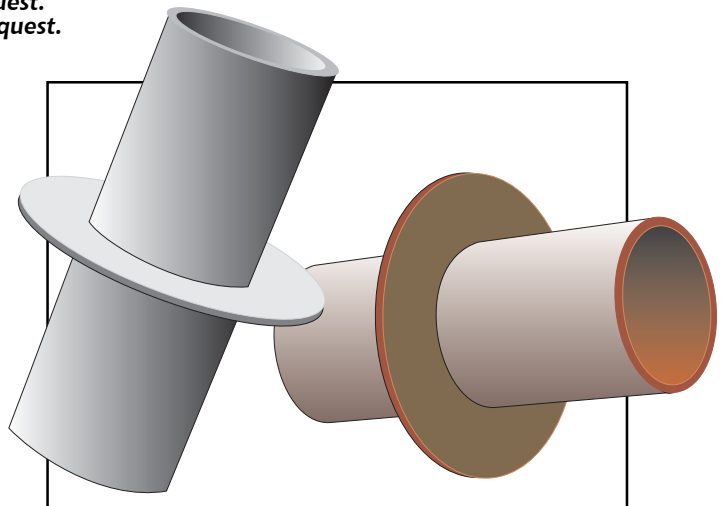
## Standard Weight Steel Pipe Sleeves or PVC / SDR-21 Pipe Sleeves

Steel wall sleeves or PVC sleeves are positioned in the wall before the concrete is poured.

Wall sleeves offer a cleaner installation for every engineered piping system.

NOMINAL PIPE SIZE (inches)	SLEEVE ACTUAL I.D. (inches)		STANDARD SLEEVE LENGTH (inches)	STANDARD WATERSTOP HEIGHT (inches)	SLEEVE WEIGHT (lbs.)	
	STEEL	PVC			STEEL	PVC
2.00	2.07	2.150	12.00	2.00	6.00	.75
2.50	2.47	2.600	12.00	2.00	8.00	1.50
3.00	3.07	3.166	12.00	2.00	10.00	1.50
4.00	4.03	4.070	12.00	2.00	14.00	2.00
6.00	6.07	6.000	12.00	2.00	23.00	2.75
8.00	7.98	7.805	12.00	2.00	34.00	3.75
10.00	10.02	9.728	12.00	2.00	47.00	5.00
12.00	12.00	11.538	12.00	2.00	57.00	6.00
14.00	13.25	-	12.00	2.00	62.00	-
16.00	15.25	-	12.00	2.00	72.00	-
18.00	17.25	-	12.00	2.00	80.00	-
20.00	19.25	-	12.00	2.00	T.B.D.	-
24.00	23.25	-	12.00	2.00	T.B.D.	-
30.00	29.25	-	12.00	2.00	T.B.D.	-
36.00	35.25	-	12.00	2.00	T.B.D.	-
36.00	35.50	-	12.00	2.00	T.B.D.	-
42.00	41.00	-	12.00	2.00	T.B.D.	-
48.00	47.00	-	12.00	2.00	T.B.D.	-
54.00	53.00	-	12.00	2.00	T.B.D.	-

*Custom lengths and heights available on request.  
Epoxy or Galvanized coatings available on request.*



# BWM COMPANY

## WORK SHEET / ORDER FORM REQUEST FOR QUOTATION

### BWM / PIPE SEAL Model PS

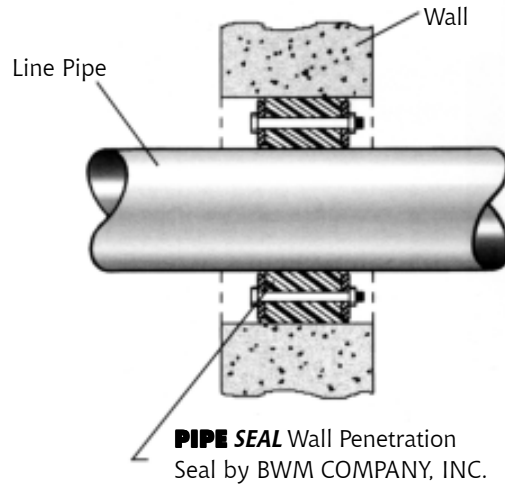
BWM Company's **PIPE SEAL** forms a mechanical rubber seal between pipes going through walls, floors, vaults, tanks, and pipeline casings and makes a watertight seal between a pipe and a wall hole. The BWM Company's **PIPE SEAL** can also be used to seal a gap between an inner pipe and an outer pipe sleeve or pipeline casing. BWM Company's **PIPE SEAL** also will seal the gap between the electrical conduit and the outer conduit, or between the electrical conduit and the wall hole it passes through.

BWM Company's **PIPE SEAL** is designed to form a hydrostatic seal of up to 20 psig and up to 40 feet of head. The BWM Company's **PIPE SEAL**, in addition to its sealing properties, helps absorb vibrations, shocks and sound waves. It also insulates the inner pipe from all other outer structures, including outer pipe sleeves, pipe line casings, walls and tanks.

BWM Company's **PIPE SEAL** is made from synthetic rubber with heavy duty plastic pressure plates, which are resistant to sunlight and ozone. All bolts and nuts are plated with an anti corrosive coating. Stainless steel nuts and bolts are also available.

#### Type of Pipe

- IPS** = Schedule 40 or Standard Weight Pipe  
Plastic Pipe  
API Pipe  
Electrical Conduit  
Any pipe with same O.D.
- CT** = Copper Tubing  
Any pipe with same O.D.
- EMT** = Electrical Metallic Tubing
- IMC** = Intermediate Metal Conduit
- RSC** = Rigid Steel Conduit
- DI** = Ductile Iron Pipe  
Plastic Pipe  
Any pipe with same O.D.
- CI (EH)** = Cast Iron (Extra Heavy)
- CI (SW)** = Cast Iron (Service Weight)



TO USE AS AN ORDER FORM OR REQUEST FOR QUOTATION, PHOTOCOPY AND FAX TO BWM COMPANY 1.828.245.5494

QTY.	NOMINAL PIPE SIZE (inches)	TYPE OF PIPE	PIPE O.D.	INNER PIPE THROUGH A CORE DRILLED HOLE			INNER PIPE THROUGH A WALL SLEEVE			NOTES
				HOLE DIA. (inches)	PIPE SEAL PART NUMBER	REQUIRED No. of LINKS	SLEEVE I.D. (inches)	PIPE SEAL PART NUMBER	REQUIRED No. of LINKS	



BWM Company • P.O. Box 414 • Forest City, North Carolina 28043  
 Phone: 828.247.0630 • Toll Free 866 5 SPACER • Fax: 828.245.5494  
 Web Site: [www.bwmcompany.com](http://www.bwmcompany.com) • e-mails: [bwmarty@bellsouth.net](mailto:bwmarty@bellsouth.net) or [bwmjustin@bellsouth.net](mailto:bwmjustin@bellsouth.net)